



This guide shows you some of the possible setups with your BDS 2x2 sling.

The sling is easy to setup but it's nice to have some pictures and instructions sometimes so that is why we created this simple guide.

2 point sling with straps setup



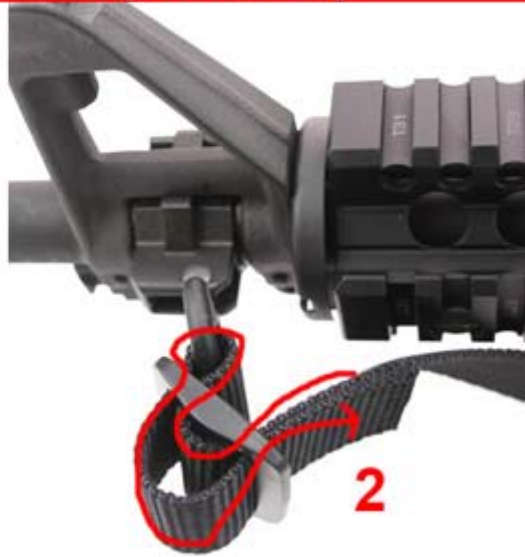
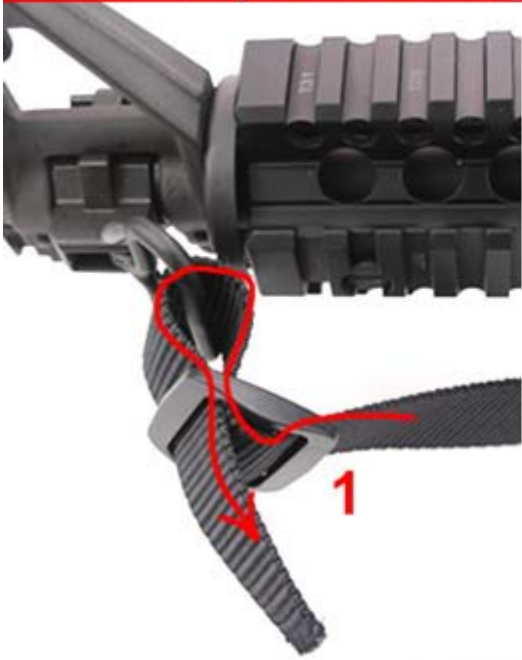
Quick adjust strap
goes in front

2 point HK hook and rear strap setup



Quick adjust strap
goes in front

2 point sling with straps setup



HK hook strap setup

Helps to fold a corner and stick through



4 - pull tight

Wood stock sling setup

If your rifle does not have a sling loop, you can strap both ends around the stock.



Once again please let us know if you have any questions or issues...we'll take care of you!

Amazon thrives on customer feedback and reviews. We would appreciate it if you could leave us one when you get a moment. If you already left us one, THANK YOU!

Enjoy your sling and be safe,

Gabe Lee

tacticalhero.com

sales@tacticalhero.com